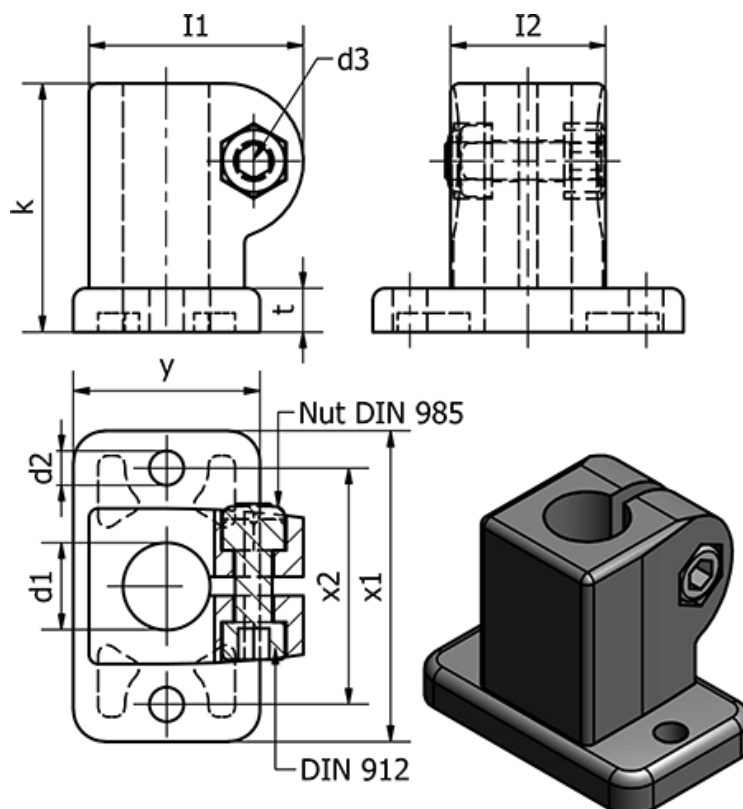


Article number: 201623B102BL

Description: E+G Swivel clamp - GN 162.3-B10-2-BL

## Measures



Clamping kit for d3 = GN 911-M6-22

d1	= 10
d2	= 5.5
d3	= M6
I1	= 34.5
I2	= 25
k	= 40
t	= 7

Weight (g) = 77

x1	= 50
x2	= 38
y	= 30